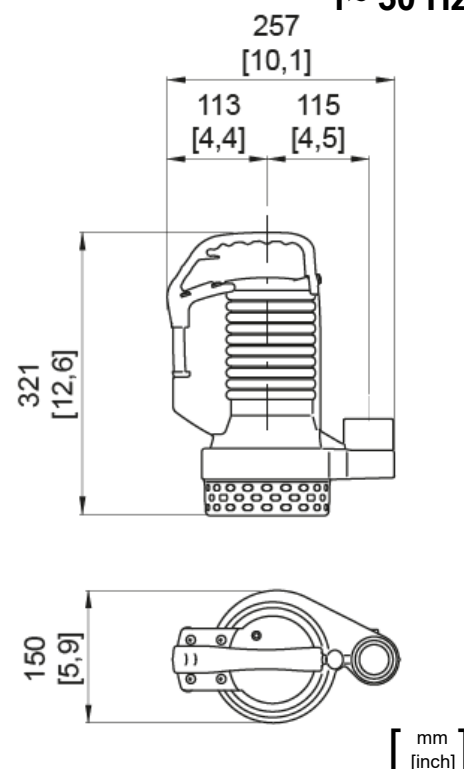
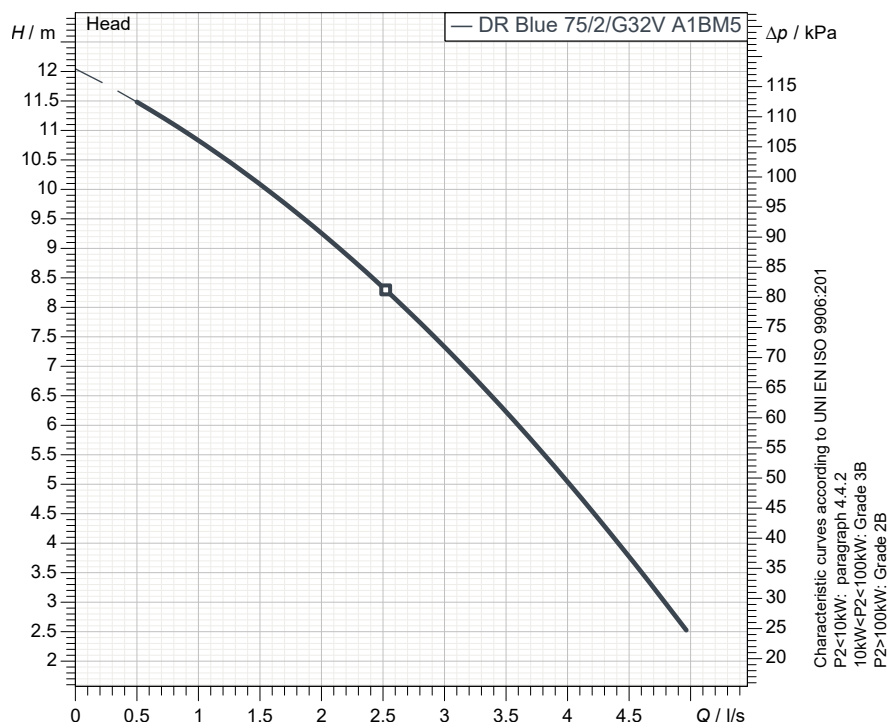




better together

Data sheet

DR Blue 75/2/G32V A1BM5**blue**
series**Technical specification****1~ 50 Hz****Pump**

Series	Blue series
Pump name	DR Blue 75/2/G32V A1BM5
Configuration	NGTCB41H23N00CX
Standard	IEC 60079-0
IECEX mark	Ex nA nC IIC T3 Gc

Operating limits (standard pumps)

Max. ambient temperature	40 °C
Max. density treated liquid	1100 kg/m ³
pH treated liquid	6 ÷ 14
Max. start per hour (equally distributed)	30
Wet/dry use	WET
Max. acoustic pressure level	70 dB
Operating mode	S1 - Continuous use

Motor data

Rated voltage	230 V
Frequency	50 Hz
Motor phases	1~
Number of poles	2
Rated power P2	0.55 kW
Incoming power P1	0.90 kW
Rated current	4.1 A
rpm	2900 1/min
cos φ	0.94
Rated torque	1.8 Nm
Start	
Degree of protection	IP 68
Insulation class	F

Construction materials

Case	Cast iron EN-GJL 250
Shaft	Stainless steel - AISI 431
Hydraulic	Cast iron - EN-GJL 250
Impeller	Technopolymer
Painting/Coating	Bi-epoxy 120 μm
Screws	Stainless steel - Class A2-70
Gaskets	NBR
Foot base (if present)	
Strainer	Polypropylene

Hydraulic

Type	DR (Multi-channel open)
Free passage	7 mm
Impeller type	Open channel impeller
Max. hydraulic efficiency	
Suction	-
Discharge	G 1" 1/4 -
Curve tolerance	UNI EN ISO 9906:2012

Construction features

Main cable	3G1
Control cable	-
Cable length	10 mt - Shuko plug
Mechanical seals	1 in silicon carbide (SiC) and 1 in alumina graphite (AL)
Additional drilling	-
Weight*	13.5 kg
Electrical variant	Thermal protection and capacitor

* cable and fixing system excluded



better together

Data sheet

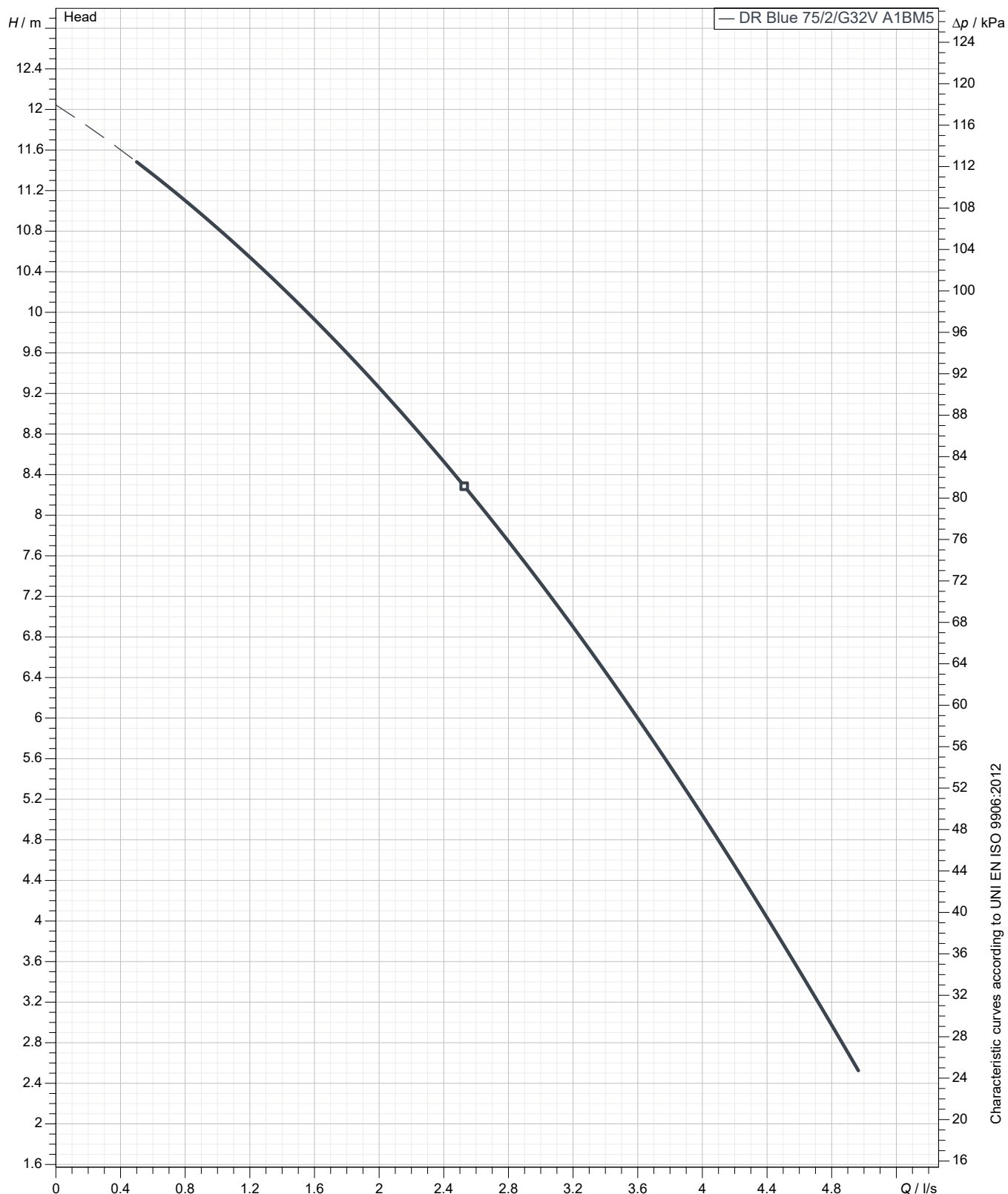
DR Blue 75/2/G32V A1BM5

blue
series

Pump performance curves

1~ 50 Hz

Hydraulic type DR (Multi-channel open)	Impeller type Open channel impeller	Free passage 7 mm	Discharge G 1" 1/4	Suction -	
DUTY POINT					
Flow	Head	Shaft power P2	Hydraulic efficiency	Density 998.3 kg/m ³	Viscosity 1.005 mm ² /s



Characteristic curves according to UNI EN ISO 9906:2012
 P2 < 10kW: paragraph 4.4.2
 10kW < P2 < 100kW: Grade 3B
 P2 > 100kW: Grade 2B



better together

Data sheet

DR Blue 75/2/G32V A1BM5

blue
series

Dimensional drawing

1~ 50 Hz

Installation type Free Installation

WET/DRY use: WET

Discharge: G 1" 1/4 -

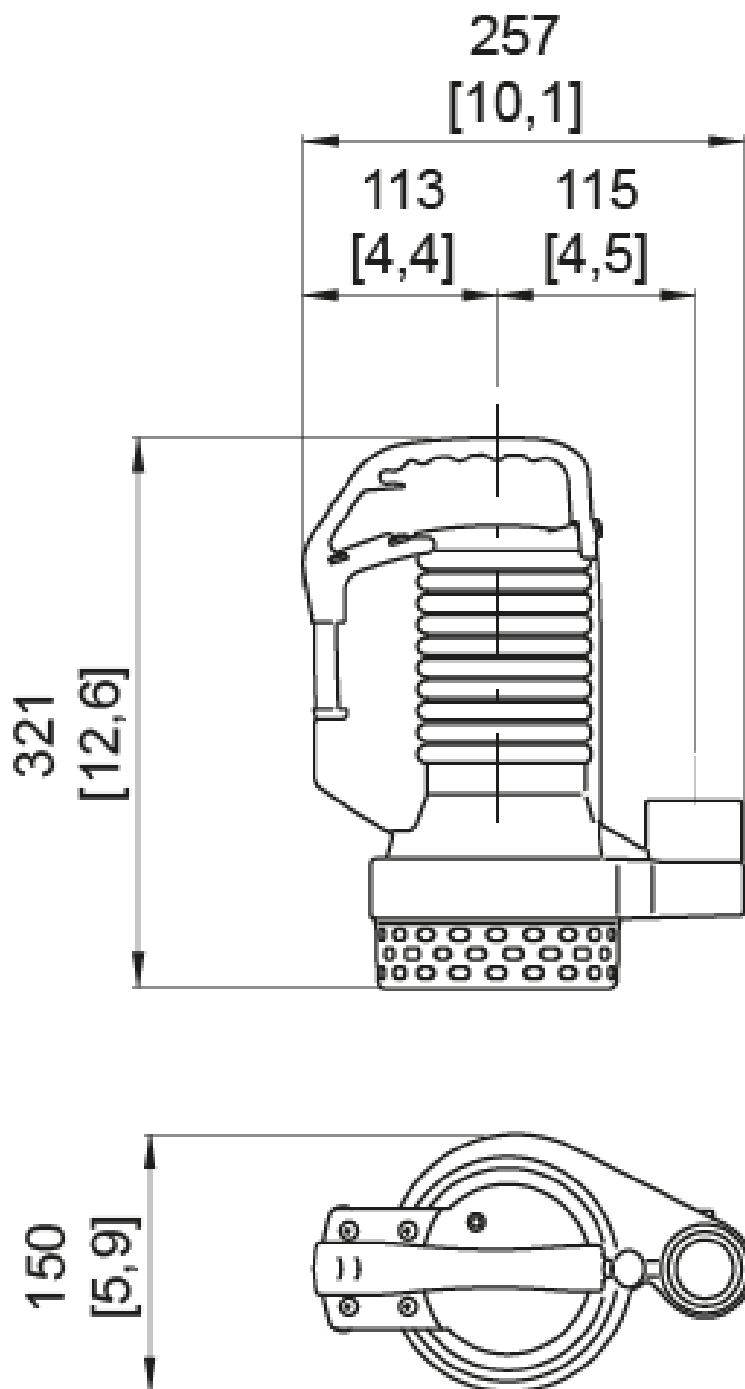
Suction: -

Pressure rating (suction/discharge): -

Accessory *: -

Accessory code *: -

* Accessory must be ordered separately



L1: Minimum operating level for continuous use

L2: Minimum operating level for discontinuous use

[mm]
[inch]

All data shown are not binding. Zenit reserves the right to change data and dimensions without notice.

zenit.com

Created on 2020-08-31

Page 3 / 3